

invoxia

Voice Bridge



Quick user guide
Guide de démarrage rapide
Guia de inicio rápido
Kurzanleitung
Guide rapida all'uso

Welcome

Congratulations!

You are one step closer to using your landline on your smartphone.

Download Voice Bridge application

Available for free on iOS and Android. Open the app and the wizard will guide you through the entire setup process.



Download on the
App Store



GET IT ON
Google Play

Connect your Voice Bridge base to your phone line and WiFi router.

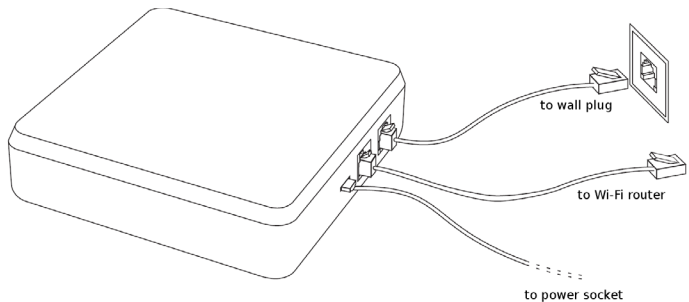
Voice Bridge setup is easy and requires only 3 steps:

- Connect the phone cable
- Connect the ethernet cable
- Plug in your Voice Bridge to your power source

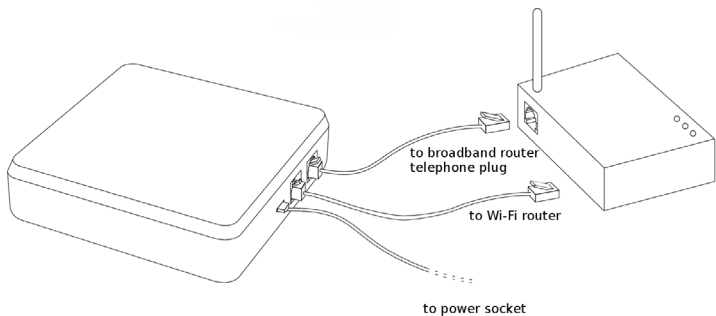
You first need to connect your Voice Bridge to:

1) Your landline

With the included RJ 11 phone cable (see drawing), connect Voice Bridge to your analog phone outlet.



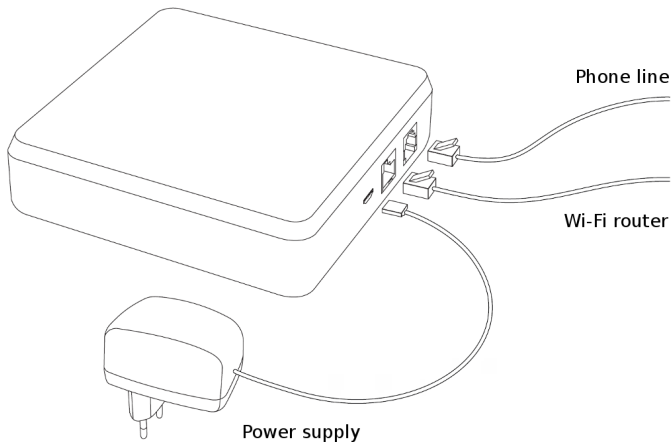
OR



2) Your WiFi router

Using the included ethernet cable, connect your Voice Bridge to your WiFi router's ethernet port.

3) Your power source



MAKE SURE YOUR MOBILE DEVICE IS CONNECTED TO YOUR HOME WI-FI NETWORK

Your mobile device must be connected to your home Wi-Fi network in order to complete the below steps.

Discover Voice Bridge

When you open the Voice Bridge app for the first time, the wizard will automatically guide you to the 'base discovery'.

If this is not your first time using the app, you can access base discovery mode at any time by navigating to Settings > Discover base.

Do not forget to press the pairing button to set Voice Bridge into pairing mode.



Use Voice Bridge

You are ready to go! You can now:

- Get all your landline calls on your mobile, even when away from home (using Wi-Fi or cellular data). Standard cellular data usage charges may apply
- Be notified of any missed calls on your landline
- Use your smartphone's address book for all your landline calls
- Connect and share your landline with your other devices, or even with family and friends (up to 5 devices)

For more information on Voice Bridge, please visit **invoxia.com**. For technical support, please visit our **Help Center at support.invoxia.com** For all other inquiries, please contact us via [invoxia/about-us](https://invoxia.com/about-us)

Bienvenue

Félicitations !

Vous êtes sur le point de pouvoir utiliser votre ligne fixe de n'importe où, via votre mobile.

Téléchargez l'application Voice Bridge

Avant de configurer Voice Bridge, téléchargez et lancez l'application Voice Bridge disponible gratuitement sur iOS et Android.

Votre application Voice Bridge vous guidera tout au long de la configuration.

Connecter la base Voice Bridge

L'installation de Voice Bridge est simple, vous n'aurez qu'à brancher 3 câbles:

- Vers votre ligne fixe
- Vers votre routeur internet
- Vers l'alimentation électrique

1) *Votre ligne fixe*

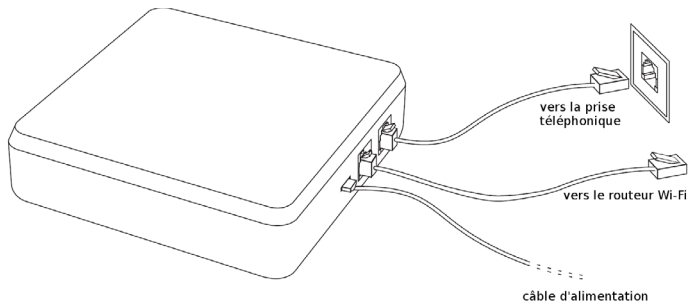
Avec le câble de téléphone fourni (voir schéma), vous devez connecter la prise téléphonique de Voice Bridge (voir indication sur la prise) à votre ligne téléphonique fixe analogique.



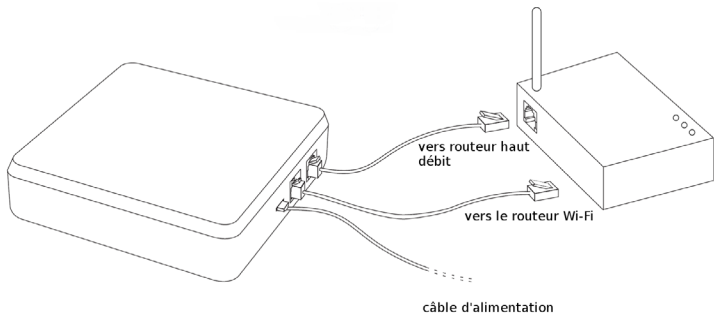
Télécharger dans
l'App Store



DISPONIBLE SUR
Google Play



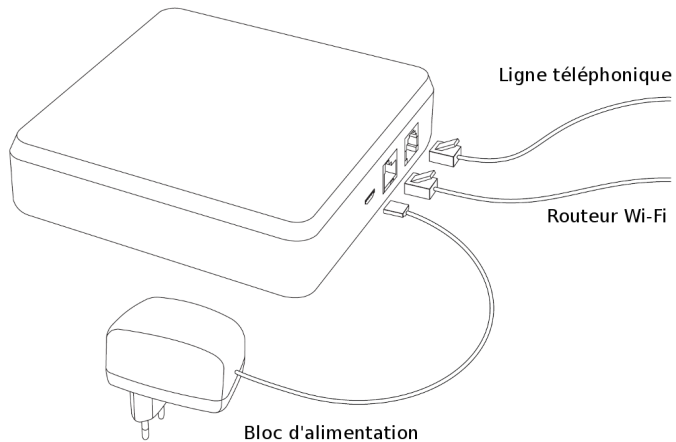
OU



2) Un port Ethernet de votre routeur

Utilisez le câble Ethernet fourni avec Voice Bridge, branchez le dans un port libre de votre routeur internet.

3) L'alimentation



ASSUREZ-VOUS QUE VOTRE TELEPHONE MOBILE EST CONNECTÉ À VOTRE RÉSEAU WI-FI LOCAL

Votre mobile doit être connecté à votre réseau Wi-Fi local pour continuer dans les étapes suivantes.

Détection de Voice Bridge

Au premier lancement de l'application, elle vous guidera automatiquement à la « Découverte de la base ». Si ce n'est pas votre premier lancement de l'application, vous pouvez accéder à la « Découverte de la base » dans le menu « Paramètres ».

N'oubliez pas d'appuyer sur le bouton d'association lorsque vous voulez vous connecter au Voice Bridge.



Utilisation de Voice Bridge

Vous êtes prêt, maintenant vous pourrez :

- Recevoir et passer vos appels fixes via votre mobile, de n'importe où (des coûts de communication facturés par votre opérateur téléphonique peuvent s'appliquer)
- Être notifié des appels manqués sur votre ligne fixe
- Utiliser votre carnet d'adresse mobile pour votre ligne fixe
- Partager Voice Bridge et la ligne fixe avec toute votre famille (jusqu'à 5 personnes)

Pour obtenir plus d'informations sur Voice Bridge, nous vous invitons à vous rendre sur **www.invoxia.com**

Pour nous contacter, rendez-vous sur notre **section contact www.invoxia.com/about-us/**

Bienvenido

iFelicidades!

Se encuentra a punto de poder utilizar su línea fija en su teléfono móvil.

Descargue la aplicación Voice Bridge

Antes de configurar Voice Bridge, empiece por descargar y abrir la aplicación (disponible para iOS e android).

Su aplicación Voice Bridge le guiará todo el camino para su correcta configuración.



Conecte la base Voice Bridge

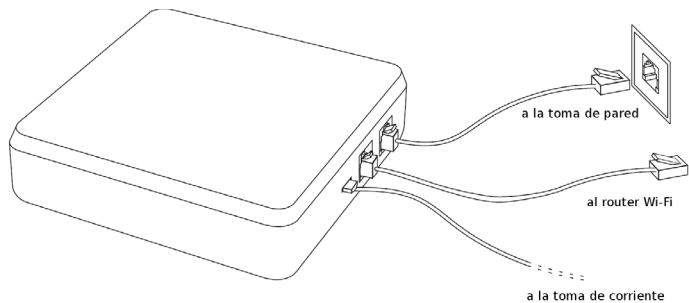
La instalación de su Voice bridge est simple, solo debe conectar 3 cables:

- El cable del teléfono fijo
- El cable del enrutador de Internet
- El cable de la alimentación eléctrica

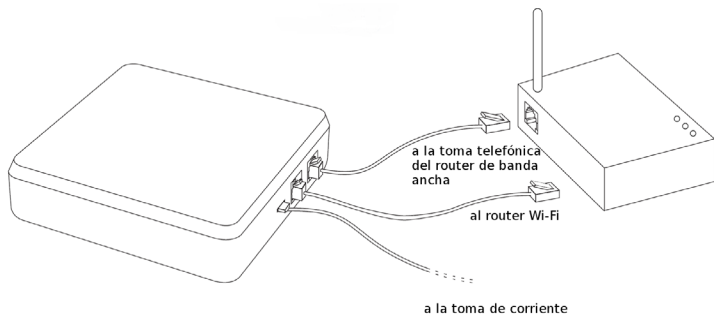
Primero debe conectar la base de su Voice Bridge a:

1) Su línea telefónica fija

Tome el cable telefónico (vea el dibujo) y conecte al puerto de teléfono en el Voice Bridge (vea la marca en el puerto) su línea análoga telefónica



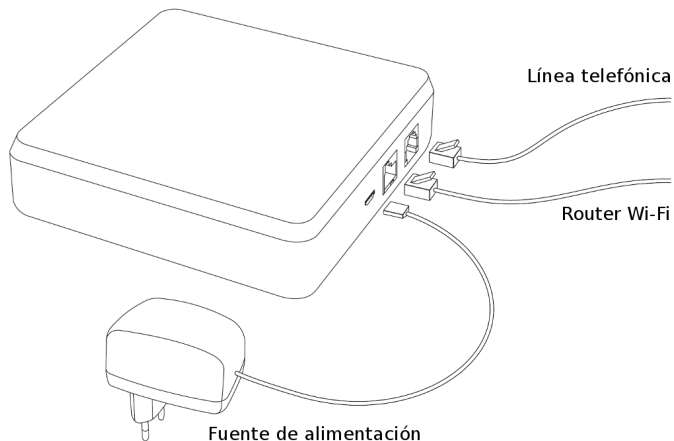
○



2) Un puerto Ethernet de su enrutador

Utilice el cable Ethernet que viene en su Voice Bridge, conéctelo en algún puerto libre de su enrutador.

3) La alimentación eléctrica



ASEGÚRESE EN SU TELÉFONO CELULAR ESTÉ CONECTADO A SU PROVEEDOR LOCAL WI-FI

Su celular debe estar conectado a su servidor WiFi local para continuar con las etapas siguientes.

Descubra Voice Bridge

La primera vez que conecte la aplicación, usted será guiado de manera automática al "Descubrimiento de la Base".

Si ya lo ha utilizado otras veces, puede acceder al "Descubrimiento de la base" en el Menú de "Configuración".

No olvide presionar el botón de sincronización (cada vez que quiera conectarse a Voice Bridge).



Utilización de Voice Bridge

Ya está listo, ahora usted podrá:

- Recibir y pasar sus llamadas fijas a través de su celular, a partir de cualquier lugar (algunos costos de comunicación de su operador pueden ser facturados)
- Ser notificado cuando tenga llamadas perdidas en su línea fija
- Utilizar su libreta de contactos del celular en su línea fija
- Compartir Voice Bridge y la línea fija con su familia (hasta 5 personas)

Para más información sobre Voice Bridge, le invitamos a que visite nuestro sitio **www.invoxia.com**

Para contactarnos, puede hacerlo desde la sección **www.invoxia.com/about-us/**

Herzlich Willkommen

Glückwunsch!

Sie sind kurz davor, den Festnetzanschluss über Ihr mobiles Gerät nutzen zu können.

Download der Voice Bridge-Anwendung

Vor dem Konfigurieren der Voice Bridge laden Sie bitte die App herunter und installieren Sie dies (Kostenlos für iOS und Android).

Ihre Voice Bridge App wird Sie schrittweise durch die Konfiguration führen.



Laden im

App Store



JETZT BEI

Google Play

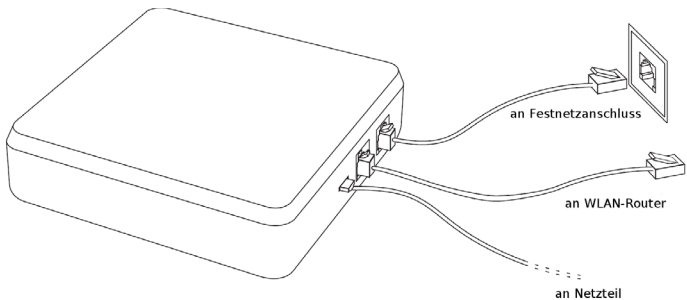
Verbindung mit der Voice Bridge Basis

Die Installation von Voice Bridge ist sehr einfach, da Sie nur 3 Verbindungen herstellen müssen:

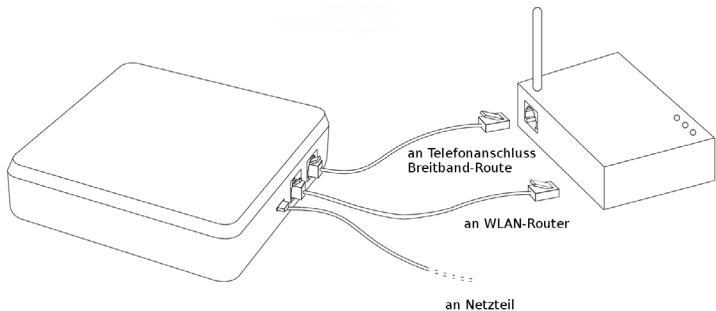
- Einmal zum Festnetz
- Einmal zum Router für das Internet
- Einmal zur Stromversorgung

1) Verbindung zum Festnetz

Verbinden Sie bitte mit dem beiliegenden Kabel (siehe Abbildung) die Voice Bridge-Anlage (Anschluss ist gekennzeichnet) mit Ihrer analogen Festnetzanlage.



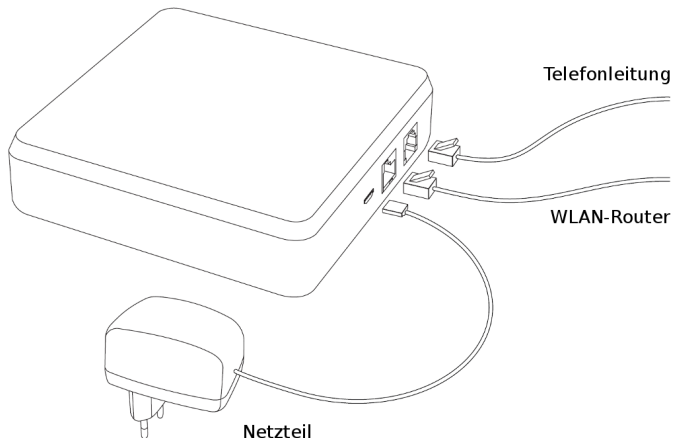
ODER



2) Verbindung zum Ihres Routers

Schließen Sie bitte das mit der Voice Bridge gelieferte Ethernetkabel an einem freien Anschluss Ihre Internetrouters an.

3) Stromversorgung



STELLEN SIE SICHER, DASS IHR MOBILES GERÄT ÜBER EINE VERBINDUNG MIT IHREM LOKALEN WI-FI-NETZ VERFÜGT

Ihr mobiles Gerät muss mit Ihrem lokalen Wi-Fi-Netz verbunden sein bevor Sie die nächsten Schritte durchführen.

Anzeige der Voice Bridge

Beim ersten Start der Anwendung werden Sie automatisch zum Schritt „Auffinden der Basis“ geführt. Wenn dies nicht die Erstinstallation der App ist, dann finden Sie die Funktion „Auffinden der Basis“ im Menü unter „Einstellungen“.

Bitte denken Sie daran, den Verbindung Button zu betätigen, sobald Sie sich an die Voice Bridge anbinden wollen.



Anwendungen der Voice Bridge

Sie können nun starten und folgende Funktionen nutzen:

- Über Ihr mobiles Geräte unabhängig vom Standort Anrufe erhalten und selber Anrufe durchführen (die abgerechneten Kosten Ihres Telefonanbieters können sich entsprechend ändern)
- Anzeige nicht angenommener Anrufe auf dem Festnetz
- Nutzung des Adressregisters Ihres mobilen Gerätes auf dem Festnetzanschluss
- Gemeinsame Nutzung der Voice Bridge und der Festnetzeinrichtung mit der ganzen Familie (mit bis zu 5 Geräten)

Für noch mehr Informationen über Voice Bridge möchten wir Sie auf unsere Internetseite www.invoxia.com einladen. Wenn Sie uns persönlich kontaktieren möchten, dann nutzen Sie bitte die Kontaktseite www.invoxia.com/about-us/

Benvenuto

Congratulazioni!

Adesso hai la possibilità di poter utilizzare il telefono fisso da ogni parte, tramite il tuo cellulare.

Scarica l'applicazione Voice Bridge

Prima di configurare Voice Bridge, scarica ed avvia l'applicazione. Per il tuo dispositivo iOS, trova l'applicazione su Apple App Store, mentre per l'Android visita il Google Play Store.

L'applicazione Voice Bridge la guiderà durante tutta la configurazione.



Scarica su

App Store



DISPONIBILE SU

Google Play

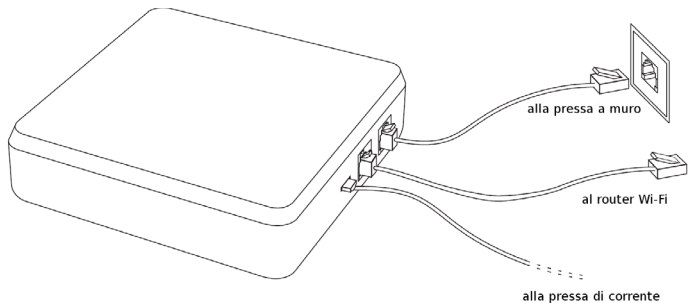
Collega la base con Voice Bridge

L'installazione di Voice Bridge è semplice, dovrebbe collegare solo 3 cavi:

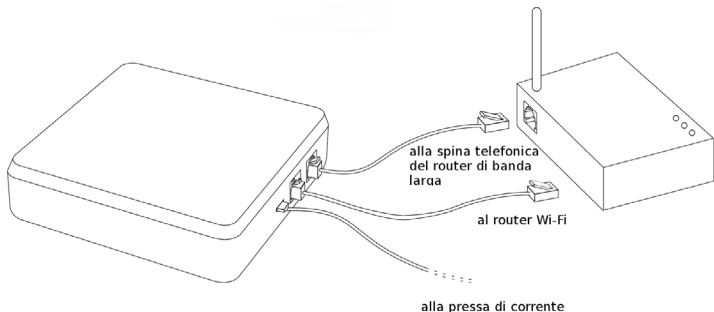
- Con il tuo telefono fisso
- Con il tuo router Internet
- Con l'alimentazione elettrica

1) Il tuo telefono fisso

Dovrebbe collegare la presa telefonica di Voice Bridge (vedi le indicazioni sulla presa) con la sua linea fissa analogica tramite l'uso del cavo telefonico fornito (vedi la figura).



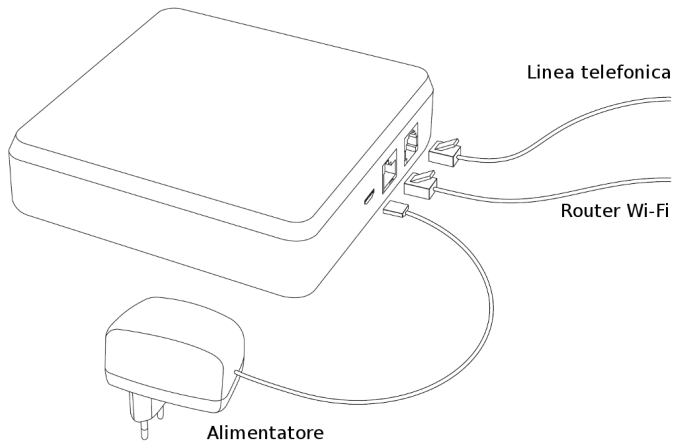
o



2) una porta Ethernet del suo router internet

Usare il cavo Ethernet fornito con Voice Bridge, collegarlo a una porta libera del suo router Internet.

3) l'alimentazione



ASSICURARSI CHE IL SUO TELEFONO CELLULARE SIA COLLEGATO CON LA SUA RETE WI-FI DI CASA

Il suo cellulare deve essere collegato alla rete Wi-fi di casa per poter continuare i passaggi successivi.

Rilevamento di Voice Bridge

Alla prima volta che avvia l'applicazione, quest'ultima vi guiderà automaticamente alla "Scoperta della base".

Se questo non è il primo avvio dell'applicazione, potrebbe accedere alla "Scoperta della base" nel menu "Impostazioni".

Ricordarsi di premere il pulsante di accoppiamento quando desidera connettersi con il Voice Bridge.



Utilizzo di Voice Bridge

Sei pronto, ora potrebbe:

- Ricevere ed effettuare le chiamate del telefono fisso tramite il suo cellulare, dappertutto (potrebbero essere applicate delle tariffe fatturate dal suo operatore telefonico)
- Essere notificati per le chiamate perse della sua rete fissa
- Usare la rubrica del suo cellulare per la sua rete fissa
- Condividere Voice Bridge e la linea fissa con tutta la sua famiglia (fino a 5 persone)

Per ulteriori informazioni su Voice Bridge, la preghiamo di visitare il sito **www.invoxia.com**

Per contattarci, visita la sezione contatti del nostro sito **www.invoxia.com/about-us/**

Regulatory information

FCC Statement

This product has been tested and complies with the specifications for a Class B digital device, pursuant to Part 15 of the FCC Rules. These limits are designed to provide reasonable protection against harmful interference in a residential installation. This equipment generates, uses, and can radiate radio frequency energy and, if not installed and used according to the instructions, may cause harmful interference to radio communications. If this equipment does cause harmful interference to radio or television reception, which is found by turning the equipment off and on, the user is encouraged to try to correct the interference by one of the following measures:

- Reorient or relocate the receiving antenna
- Increase the separation between the equipment or devices
- Connect the equipment to an outlet other than the receiver's
- Consult a dealer or an experienced radio/TV technician for assistance

This equipment complies with Part 68 of the FCC Rules. A Label is attached to the equipment that contains, among other information, its FCC registration number and ringer equivalence number. If requested, this information must be provided to the telephone company.

This equipment uses the following USOC Jack RJ-11. An FCC compliant telephone cord and modular plug is provided with this equipment. This equipment is designed to be connected to the telephone network or premises wiring using a compatible modular jack which is FCC Part 68 compliant.

Connection to the telephone network should be made by using the standard modular telephone jack.

The REN is useful to determine the quantity of devices that may be connected to the telephone line and still have all of those devices ring when your telephone number is called. In most, but not all areas, the sum of RENs should not exceed 5. To be certain of the number of devices that may be connected to the line, as determined by the

total RENs, contact the telephone company to determine the maximum REN for the calling area.

If this equipment causes harm to the telephone network the telephone company may discontinue your service temporarily. If advance notice is not practical, the telephone company will notify the customer as soon as possible. Also, you will be advised of your right to file a complaint with the FCC if you believe it is necessary.

If this equipment causes harm to the telephone network the telephone company may discontinue your service temporarily. If advance notice is not practical, the telephone company will notify the customer as soon as possible. Also, you will be advised of your right to file a complaint with the FCC if you believe it is necessary.

The telephone company may make changes in its facilities, equipment, operations, or procedures that could affect the operation of the equipment. If this happens, the telephone company will provide advance notice in order for you to make the necessary modifications in order to maintain uninterrupted service.

In the event this equipment should fail to operate properly, disconnect the unit from the telephone line. Try using another FCC approved device in the same telephone jack. If the trouble persists, call the telephone company repair service bureau. If the trouble does not persist and appears to be with this unit, disconnect the unit from the telephone line and discontinue use of the unit until it is repaired. Please note that the telephone company may ask that you disconnect the equipment from the telephone network until the problem has been corrected or until you are sure that the equipment is not malfunctioning. The user must use the accessories and cables supplied by the manufacturer to get optimum performance from the product.

No repairs may be done by the customer. If trouble is experienced with this equipment, please contact your authorized support provider for repair and warranty information. If the trouble is causing harm to the telephone network, the telephone company may request you remove the equipment from the network until the problem is resolved. This equipment cannot be used on telephone company provided coin service. Connection to Party Line Service is subject to state tariffs.

Safety Notices

Caution: To reduce the risk of fire, use only No.26 AWG or larger telecommunication line cord

Do not use this product near water, for example, in a wet basement or near a swimming pool.

Avoid using this product during an electrical storm. There may be a remote risk of electric shock from lightning.

SAVE THESE INSTRUCTIONS

IMPORTANTES MESURES DE SECURITE

Certaines mesures de sécurité doivent être prises pendant l'utilisation de matériel téléphonique afin de réduire les risques d'incendie, de choc électrique et de blessures. En voici quelques unes :

- 1) Ne pas utiliser l'appareil près de l'eau, par exemple, près d'une baignoire, d'un lavabo, d'un évier de cuisine, d'un bac à laver, dans un sous-sol humide ou près d'une piscine.
- 2) Eviter d'utiliser le téléphone (sauf s'il s'agit d'un appareil sans fil) pendant un orage électrique. Ceci peut présenter un risque de choc électrique causé par la foudre.
- 3) Ne pas utiliser l'appareil téléphonique pour signaler une fuite de gaz s'il est situé près de la fuite.

Industry Canada (Canada)

This device complies with Industry Canada ICES-003 rule.

Cet appareil est conforme à la norme NMB003 d'Industrie Canada.

IC Statement

Operation is subject to the following two conditions:

1. This device may not cause interference and
2. This device must accept any interference, including interference that may cause undesired operation of the device.

Règlement d'Industry Canada

Le fonctionnement est soumis aux conditions suivantes :

1. Ce périphérique ne doit pas causer d'interférences;
2. Ce périphérique doit accepter toutes les interférences reçues, y compris celles qui risquent d'entraîner un fonctionnement indésirable.

European Union directives conformance Statement

Hereby, Swissvoice declares that this product is in compliance with

- The essential requirements of Directive 1999/5/EC
- All other relevant EU directives

You can view your product's Declaration of Conformity (DoC) to Directive 1999/5/EC (toR&TTE Directive) at www.swissvoice.net

Caring for the environment by recycling

Do not dispose of electrical devices or accessories with your household waste. In some countries or regions, collection systems are set up to handle electrical waste items.

Contact your regional authorities for detail.



invoxia



www.invoxia.com